



Controladores de relé Dynalite

DDRC1220FR-GL

DDRC1220FR-GL provides control of multiple types of switched loads. 12 channel controller supports switched loads - up to 20 A per channel, max. load of 180 A.

DDRC1220FR-GL provides control of multiple types of switched loads. 12 channel controller supports switched loads up to 20 A per channel, max. load of 180 A.

Datos del producto

Funcionamiento de emergencia

Observaciones Please download the Lighting - Product Data Sheet for more information and ordering options

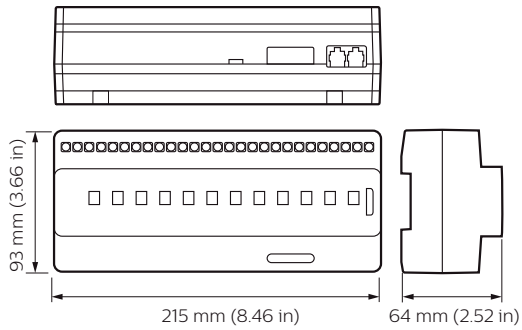
Datos de producto

Código del producto completo	871869688795000
Nombre del producto del pedido	DDRC1220FR-GL
EAN/UPC: producto	8718696887950

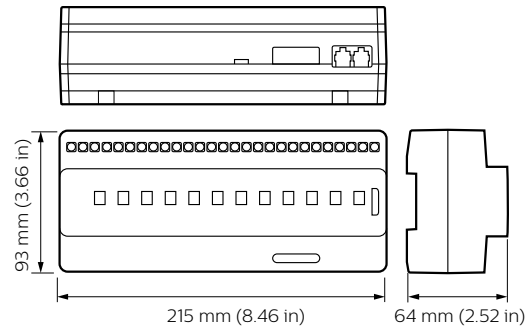
Código del pedido	913703243009
Numerator - Quantity Per Pack	1
Numerator - Packs per outer box	1
Material Nr. (12NC)	913703243009
Net Weight (Piece)	0,900 kg

Controladores de relé Dynalite

Plano de dimensiones



DDRC1220FR-GL



DDRC1220FR-GL

